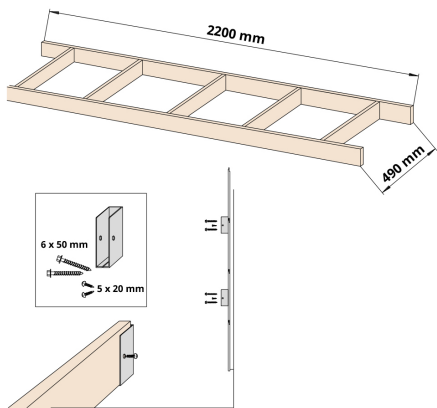




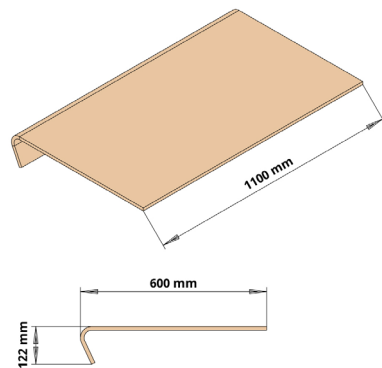
BASIC ASSEMBLY INSTRUCTIONS

TAIVE®

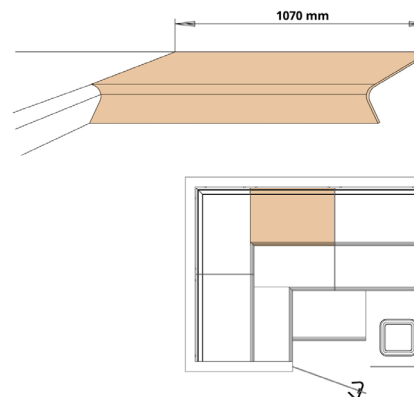
BASIC COLLECTION



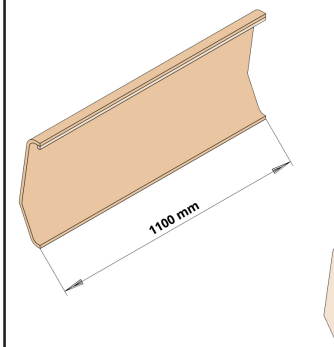
Bench frame unit 1603100



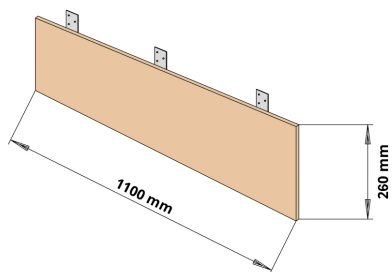
Sitting bench unit 1603101



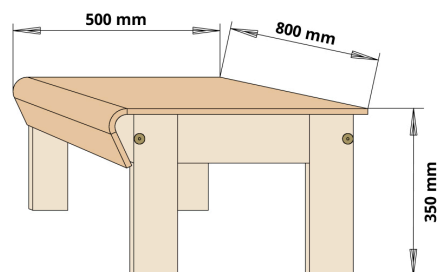
Bench corner unit R 1603102  
Bench corner unit L 1603103



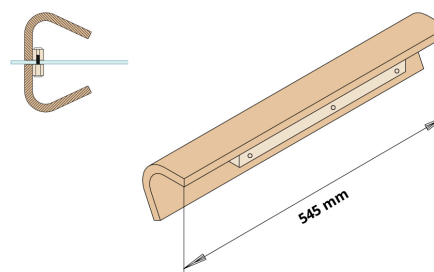
Backrest unit 1603104



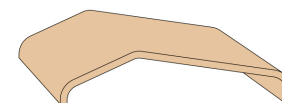
Cover panel unit 1603105  
Between upper and lower bench



Sauna step 1603107



Door handle 1603108

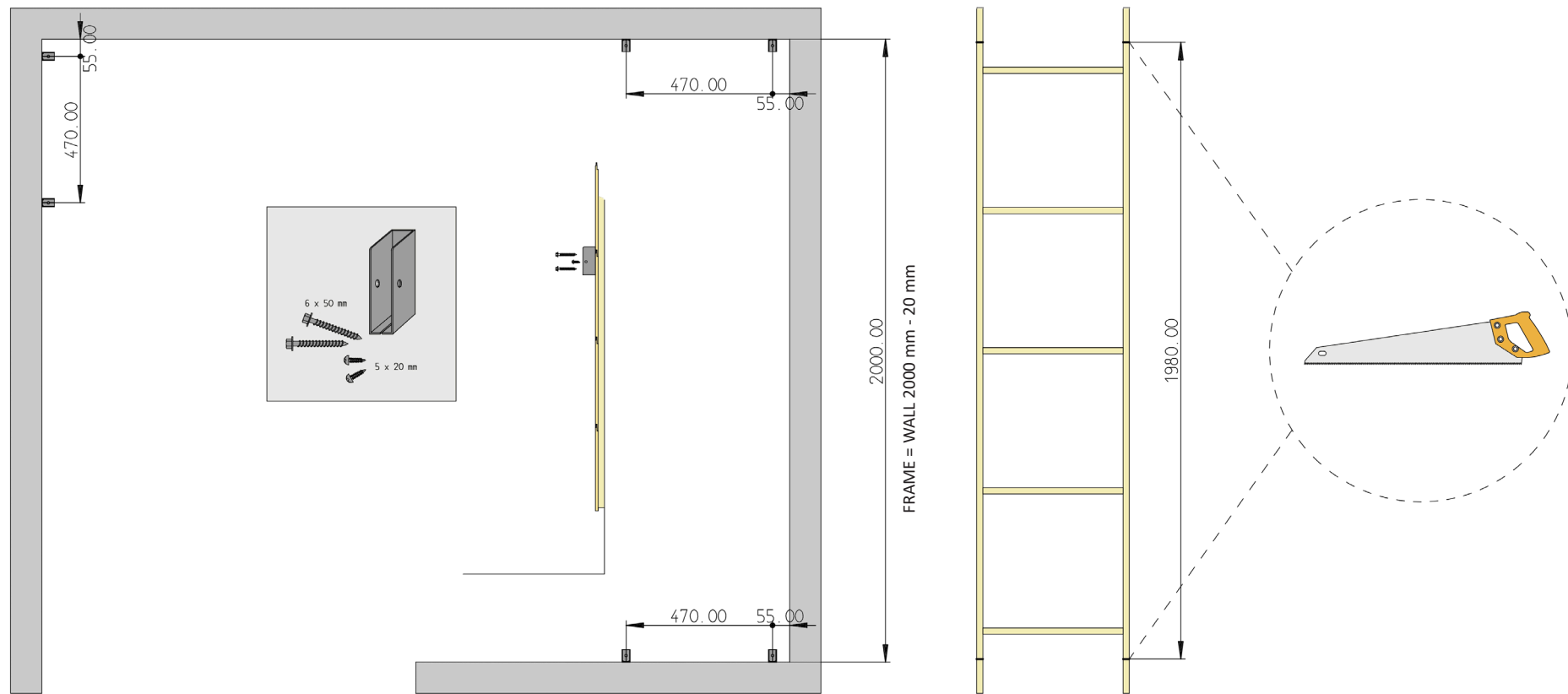


Headrest 1603109  
300 \* 300 \* 70 mm

# TAIVE®

## Upper bench frames

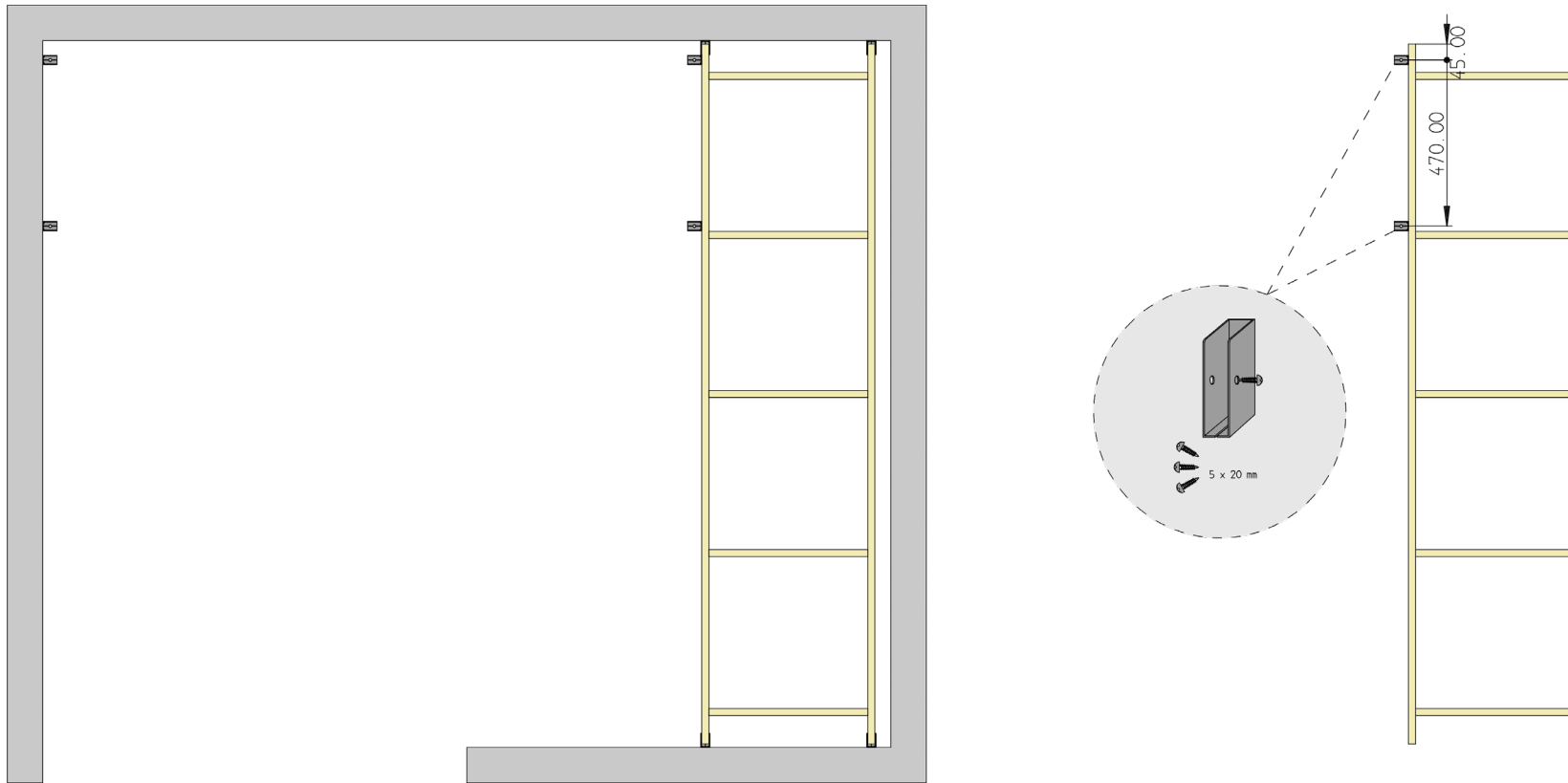
### Step 1.



# TAIVE®

## Upper bench frames

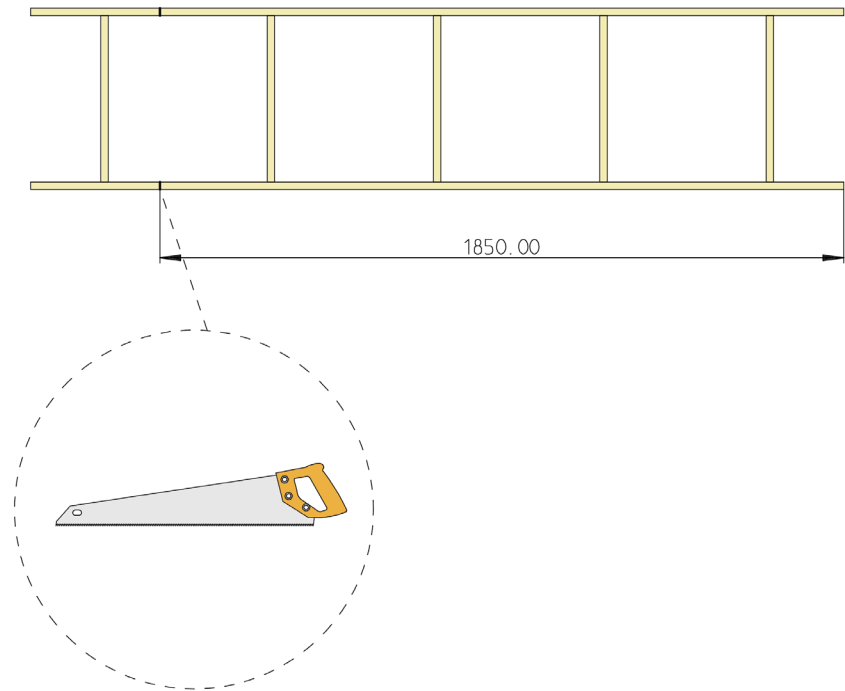
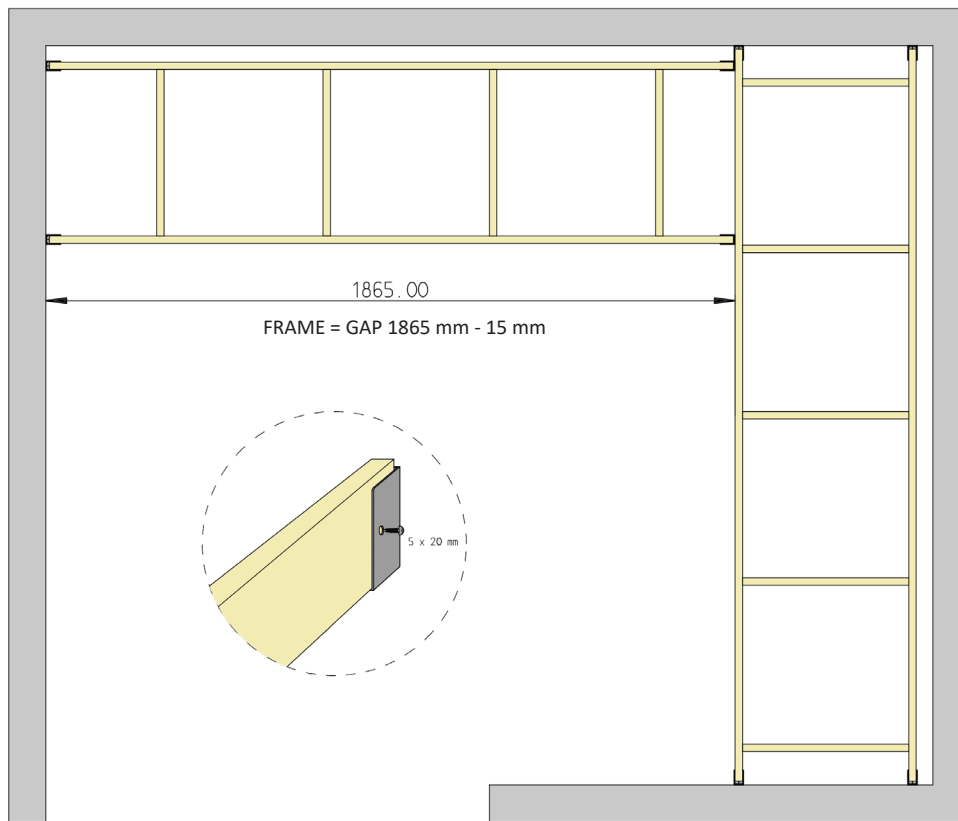
### Step 2.



# TAIVE®

## Upper bench frames

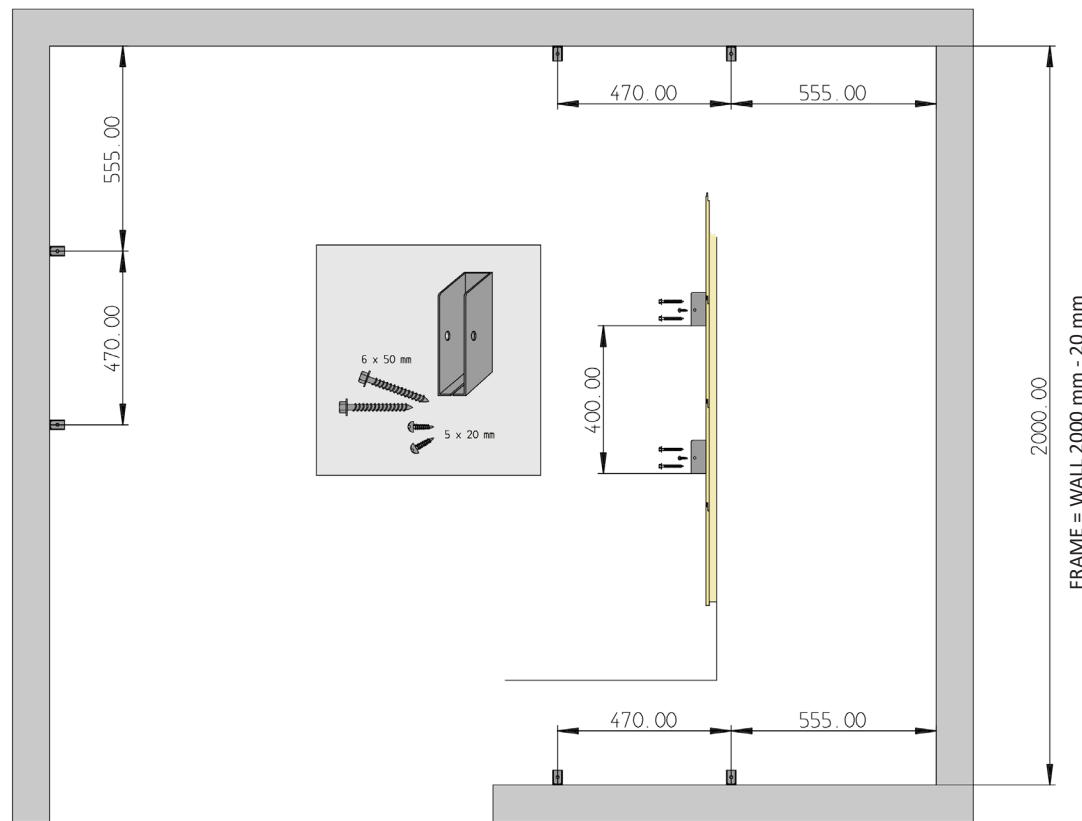
### Step 3.



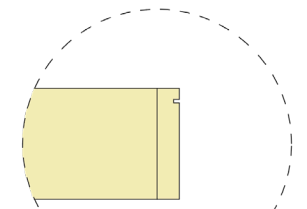
# TAIVE®

## Lower bench frames

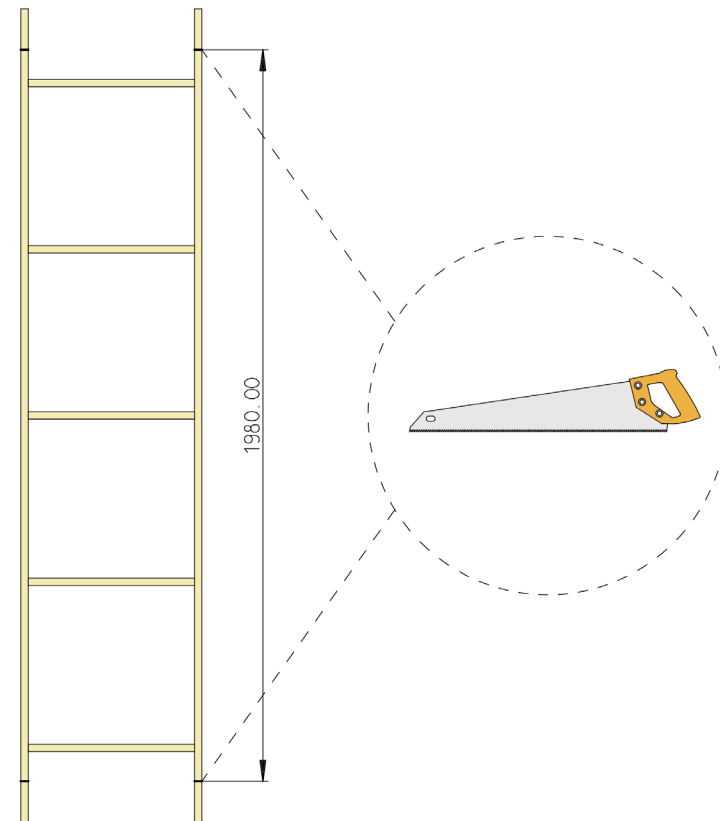
### Step 1.



FRAME = WALL 2000 mm - 20 mm



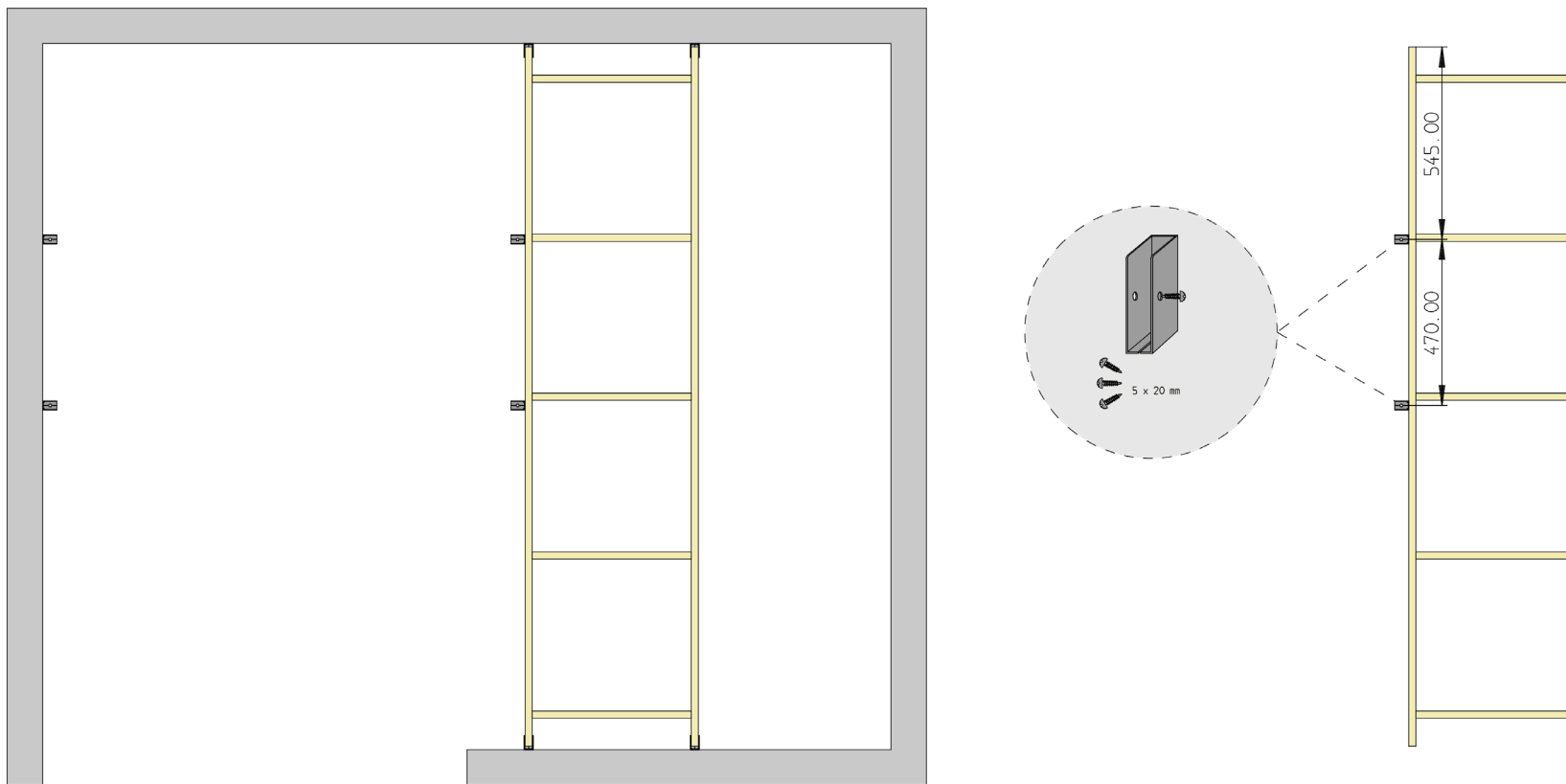
Back side frame



# TAIVE®

## Lower bench frames

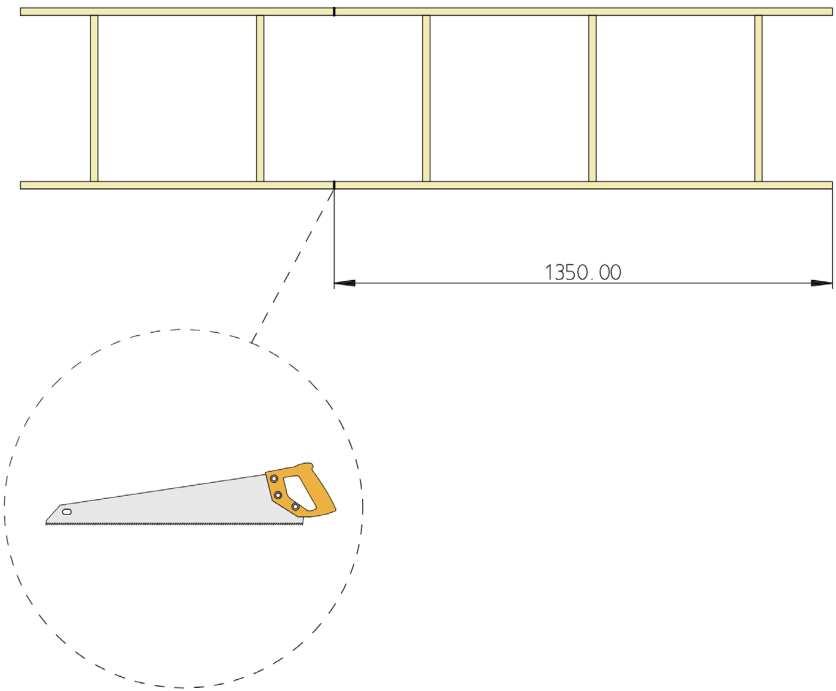
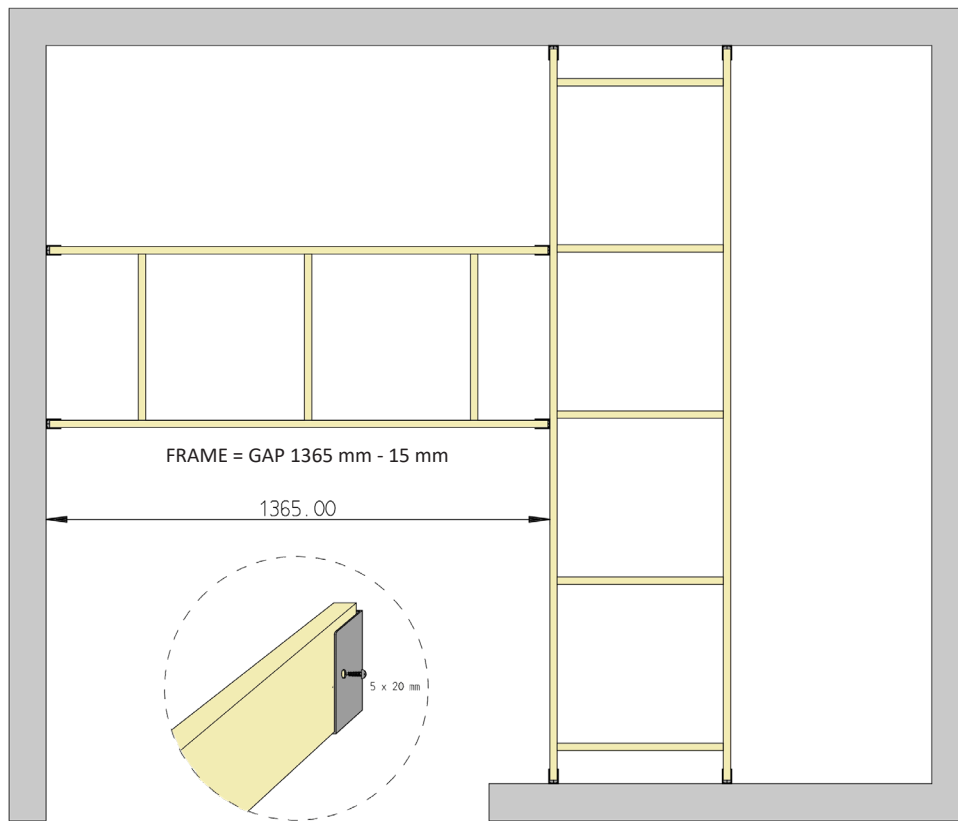
### Step 2.



# TAIVE®

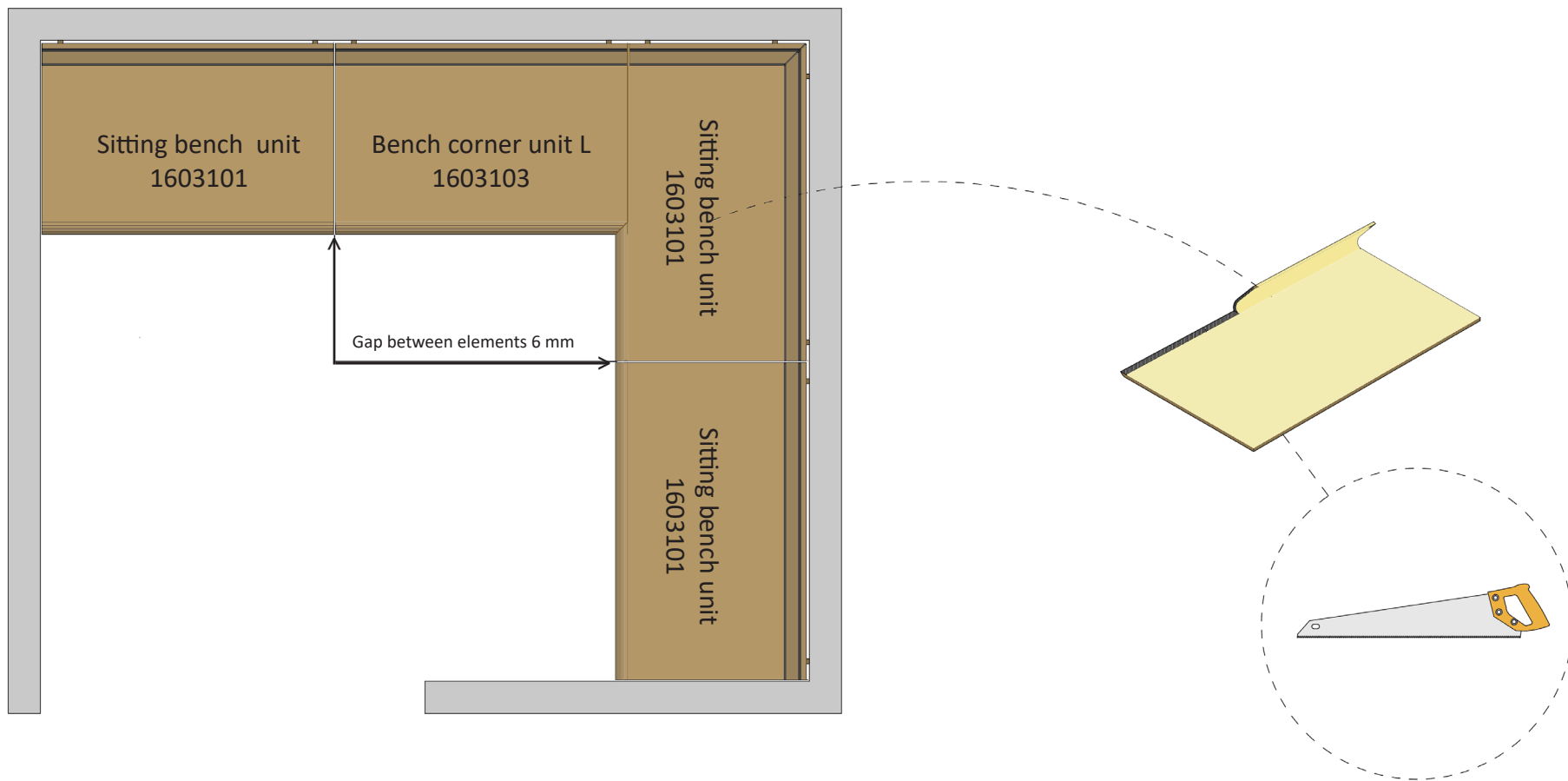
## Lower bench frames

### Step 3.



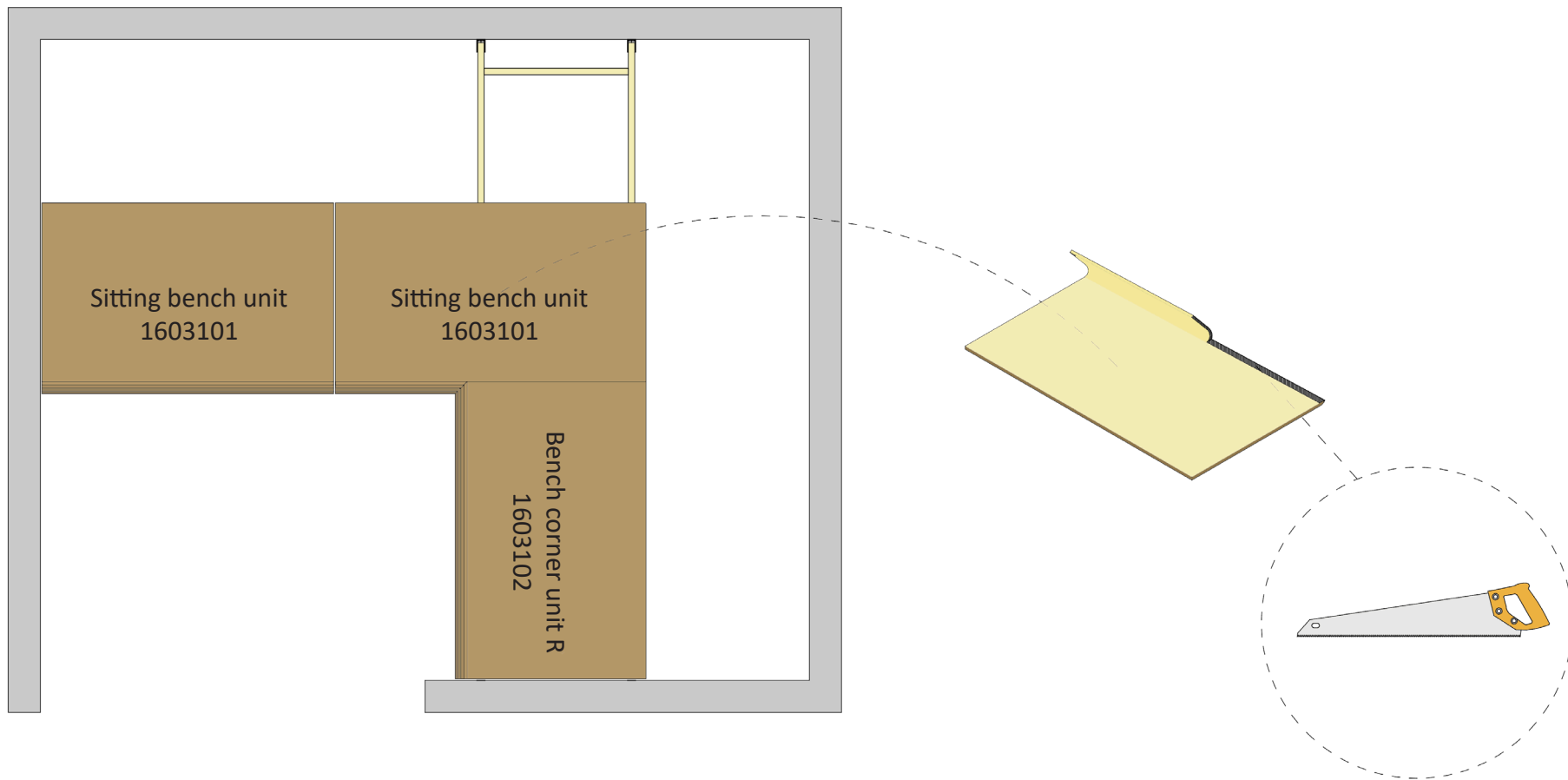
# TAIVE®

## Sitting bench elements for upper bench and backrests



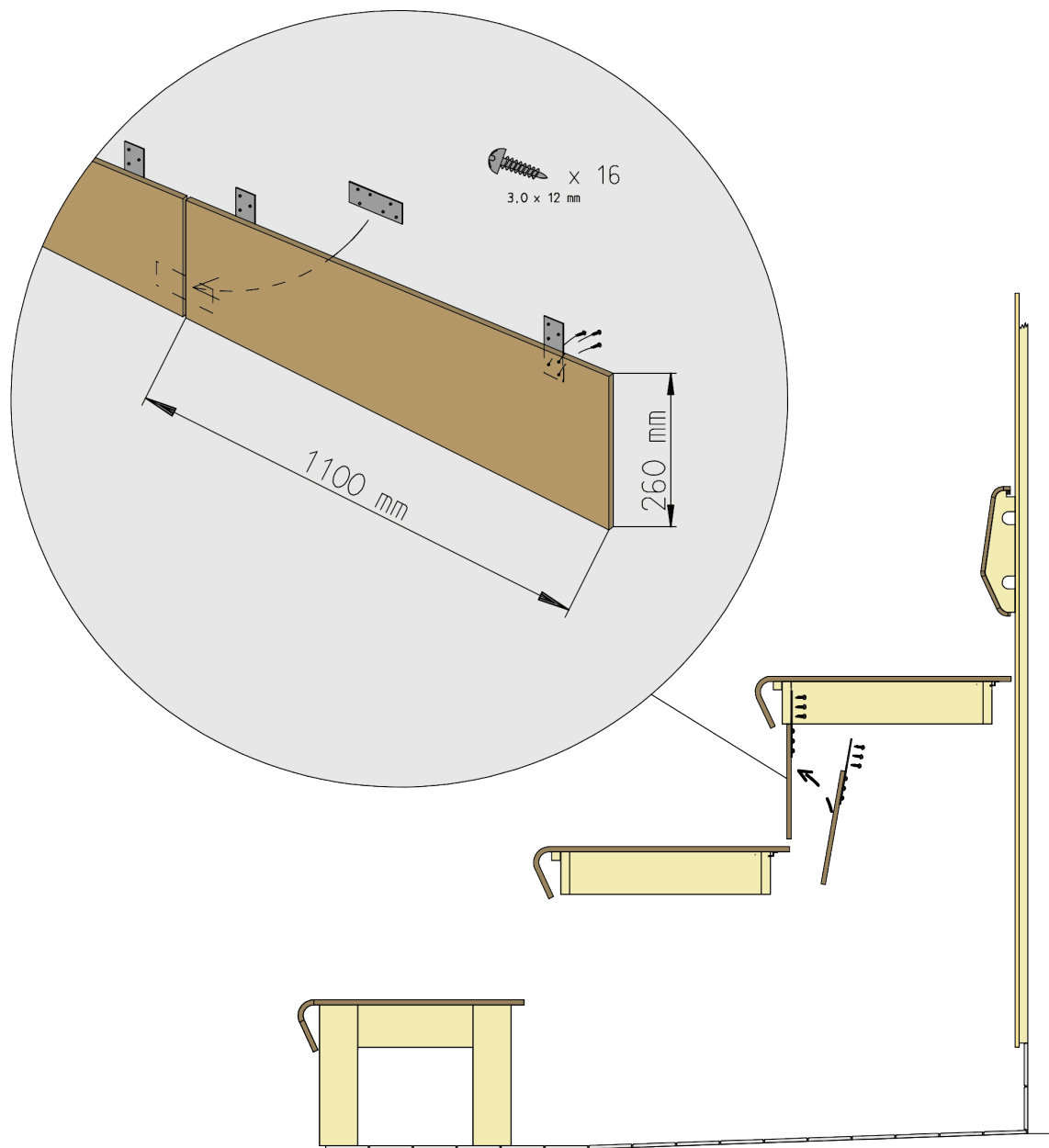
# TAIVE®

## Sitting bench elements for lower bench



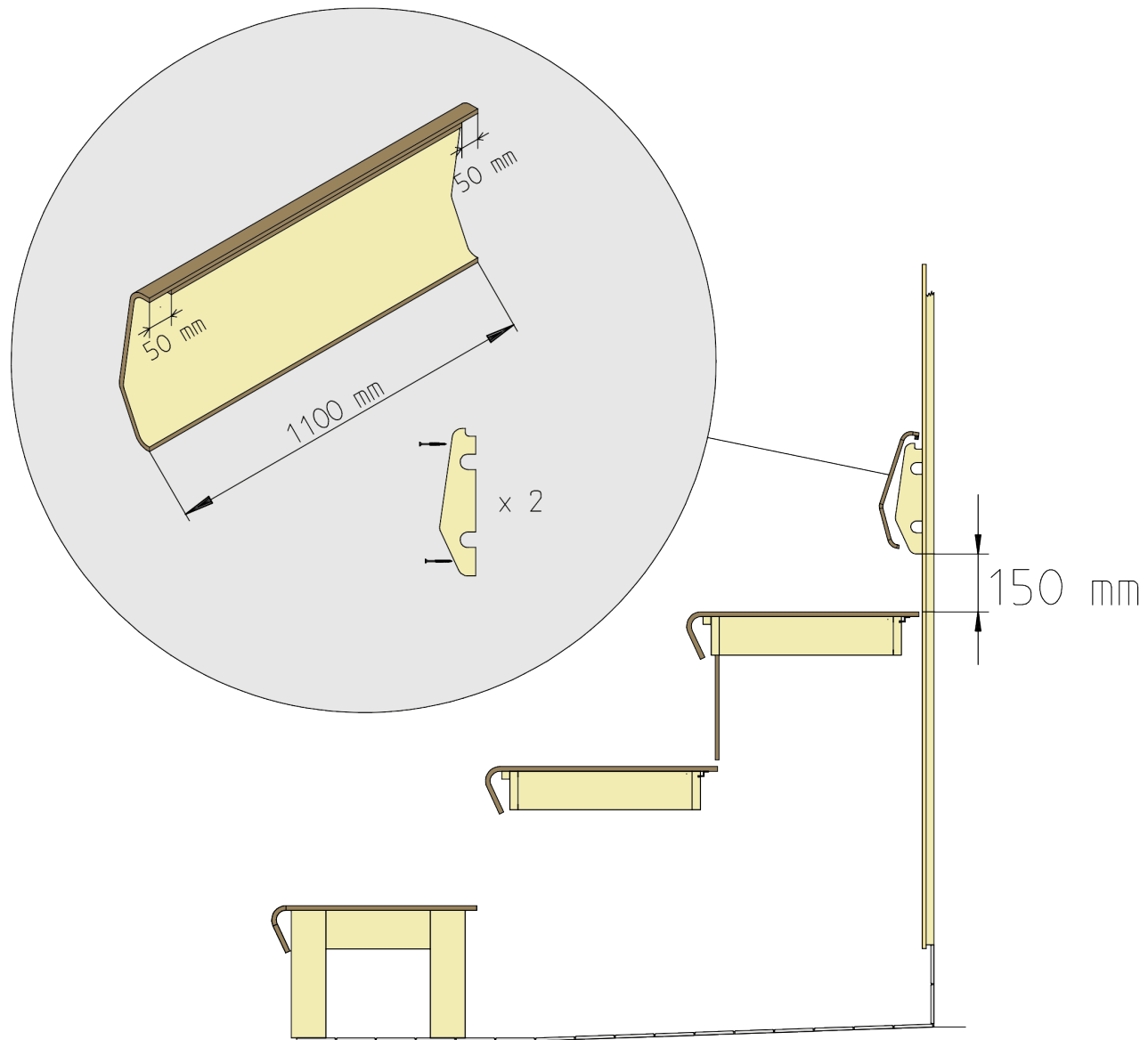
# TAIVE®

Cover elements between  
upper and lower bench

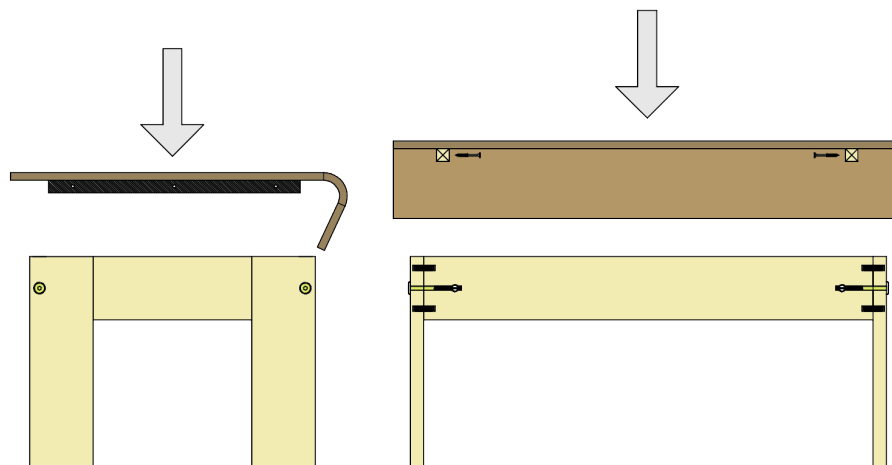


# TAIVE®

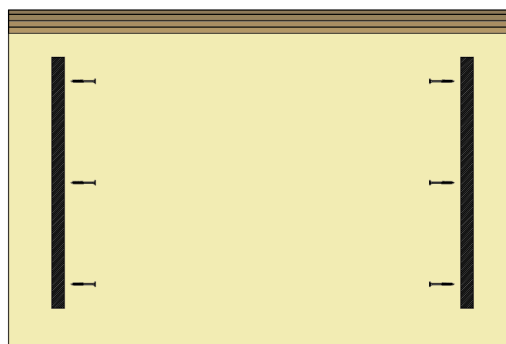
Backrests installing



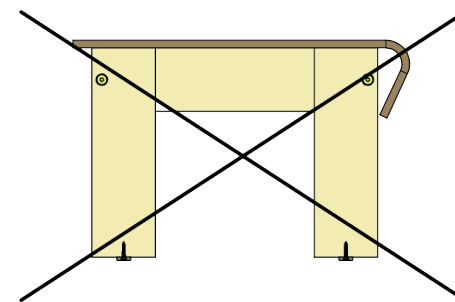
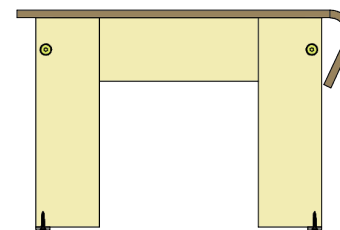
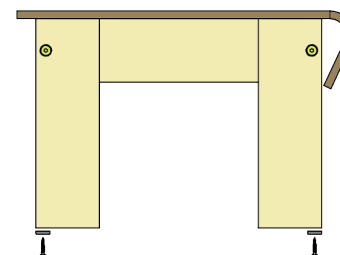
# TAIVE®



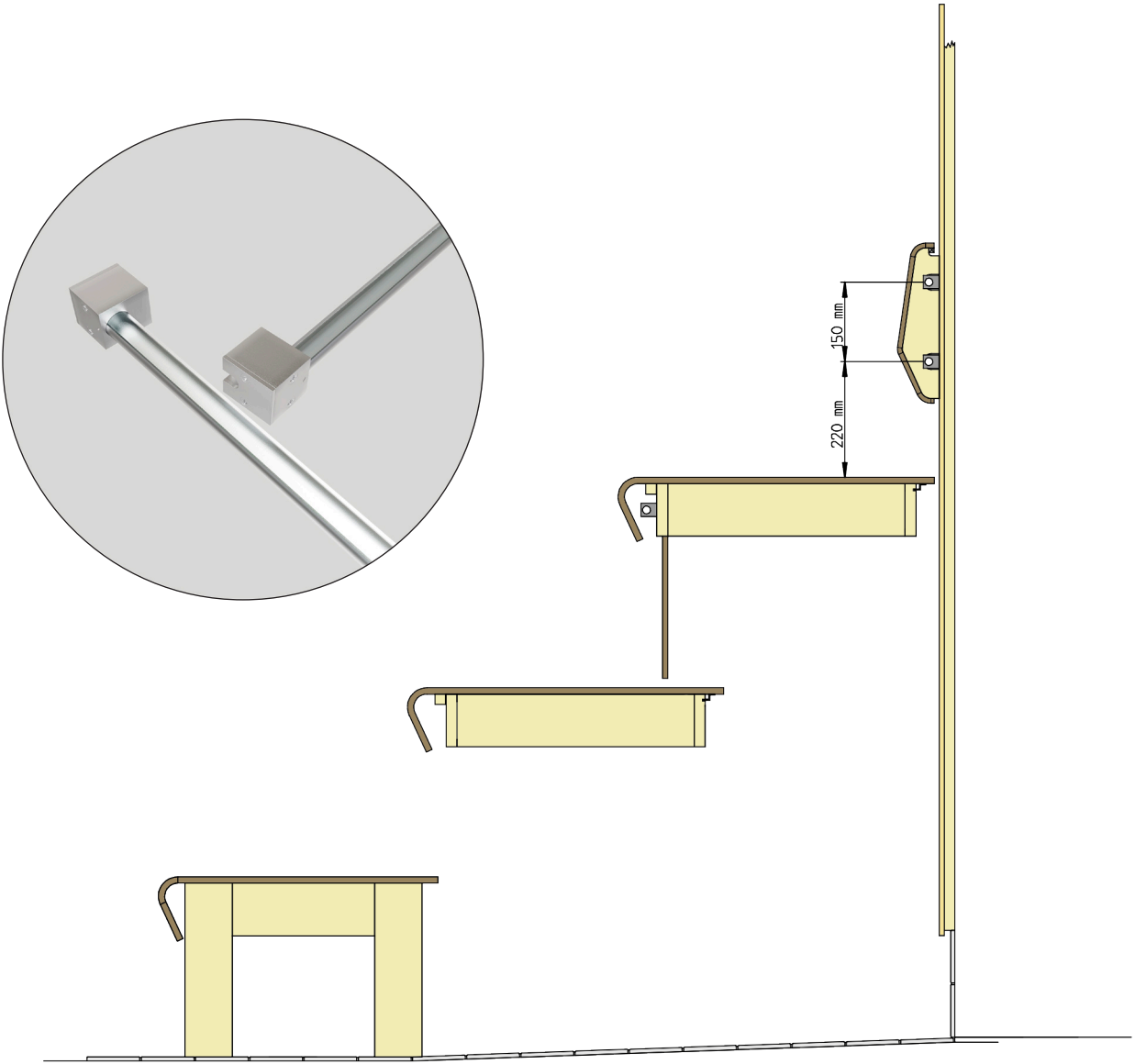
Sauna step assembly



Note!  
How rubber buttons  
should be installed to legs



Cariitti Sauna Linear LED luminaire behind backrests and behind sitting elements



*Cariitti.*

Cariitti Oy  
Niittyrinne 2B, FI-02270 Espoo, FINLAND  
Tel. +358 9 221 9040, sales@cariitti.com  
www.cariitti.com